

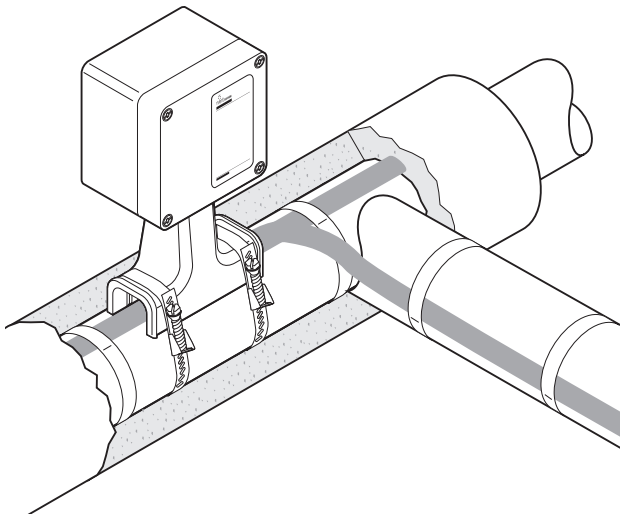
T-100



RAYCHEM

CONNECT AND PROTECT

Splice or Tee Connection Kit



The nVent RAYCHEM T-100 is an above-insulation splice or tee kit, designed for use with up to three nVent RAYCHEM BTV, QTVR, XTV, KTV, HTV or VPL industrial parallel heating cables. It is approved for use in hazardous locations.

The rugged stand protects the heating cable and allows for up to 100 mm (4") of thermal insulation.

The core sealing boot does not require a heat gun or torch for the installation (no hot work permit necessary).

The non-curing sealant (silicone free) in the boot allows easy installation and facilitates maintenance.

The T-100 significantly reduces installation and maintenance time and effort.

DESCRIPTION

This kit is an above-insulation splice/tee, appropriate for use worldwide with no requirements for local customization.

KIT CONTENTS

- 1 splice/tee enclosure and lid
- 1 stand assembly
- 3 core sealers
- 3 green/yellow earthing sleeve
- 3 compression crimps
- 3 crimping insulating tubes
- 1 polywater sachet
- 1 spanner
- 1 strain relief assembly
- 2 grommet plugs
- 1 installation instruction

APPROVALS

Hazardous locations

PTB 20 ATEX 1008 U

Ex II 2 G Ex eb mb IIC Gb

Ex II 2 D Ex tb mb IIIC Db

IECEx PTB 20.0014U

Ex eb mb IIC Gb

Ex tb mb IIIC Db



TC RU C-BE.МЮ62.В.00054/18

Ex e IIC Gb U Ex tb IIIC Db U

Ta -55°C...+56°C IP66

ООО "ТехИмпорт"



Ex e IIC Gb

Ex tD A21 IP66



BTV - IEx 09.0004X Ex e IIC T* Gb

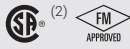
QTVR - IEx 09.0006X

XTV - IEx 09.0005X

VPL - IEx 09.0007X

HTV - IEx 21.0097X

BAS21UKEX0657U



Class I, Div. 2, Groups A,B,C,D

Class II, Div. 1 and 2, Groups E,F,G

Class III

Type 4X Temp Code T*



CLI, ZN1, AEx e II T*



Ex eb IIC T* Gb; Class I Zone 1 AEx eb IIC T* Gb

Ex tb IIIC T* °C Db; Zone 21 AEx tb IIIC T* °C Db



Class I, Div. 2, (Zone 2⁽⁴⁾)

Groups A, B, C, D

Class I Zone 2 GROUP IIC

(HTV heating cables only)

DNV-GL Approval for use on ships and mobile offshore units.

When used with BTV, QTVR Heating systems: DNV certificate number TAE00000TU

When used with XTV, KTV Heating systems: DNV certificate number TAE00000TV

* For systems Temperature Code, see heating cable or design documentation.

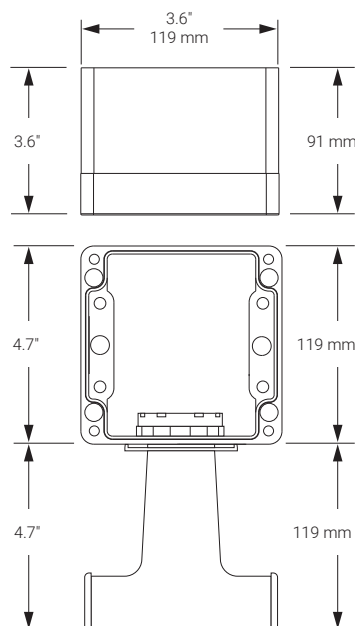
(1) Except VPL

(2) Except HTV

(3) Except KTV

(4) Per C22.1 Table 18

DIMENSIONS (IN MM)



PRODUCT SPECIFICATIONS

Heating cable capability	BTV-CR, BTV-CT, QTVR-CT, XTV-CT, KTV-CT, HTV-CT, VPL
Ingress protection	NEMA Type 4X IP66
Min. installation temperature	-55°C
Max. pipe temperature	Refer to heating cable specification
Ambient temperature range:	-55°C to +56°C
Max. operating voltage	277 Vac for FM, CSA, 480 Vac for PTB
Max. continuous operating current	50 A heating cable circuit for NEC/CEC as approved by CSA and FM 40 A heating cable circuit for IEC as approved by PTB

MATERIALS OF CONSTRUCTION

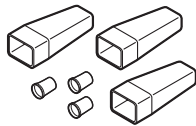
Enclosure, lid, and stand	Electrostatic charge-resistant glass-filled engineered polymer, black
Lid screws	Stainless steel
Lid gasket	Silicone rubber

ORDERING DETAILS

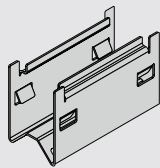
Part description	T-100
PN (Weight)	447379-000 (2.5 lb /1.2 kg)

ACCESSORIES

Crimp tool	T-100-CT (not included in the kit, equivalent to Panduit: CT-1570)
PN	954799-000
Spare crimps and insulating tubes	T-100-CRIMP-KIT (spare part only)



PN	577853-000
Small pipe adaptor	JBM-SPA, required for pipes $\leq 1"$ (DN 25), D55673-000 (bag of 5 adaptors)
T-100 stand off	JBM-100 STANDOFF P000003624 For insulation $120 \geq 180$ mm



North America

Tel +1.800.545.6258
Fax +1.800.527.5703
thermal.info@nVent.com

Europe, Middle East, Africa

Tel +32.16.213.502
Fax +32.16.213.604
thermal.info@nVent.com

Asia Pacific

Tel +86.21.2412.1688
Fax +86.21.5426.3167
cn.thermal.info@nVent.com

Latin America

Tel +1.713.868.4800
Fax +1.713.868.2333
thermal.info@nVent.com



Our powerful portfolio of brands:

CADDY ERICO HOFFMAN RAYCHEM SCHROFF TRACER